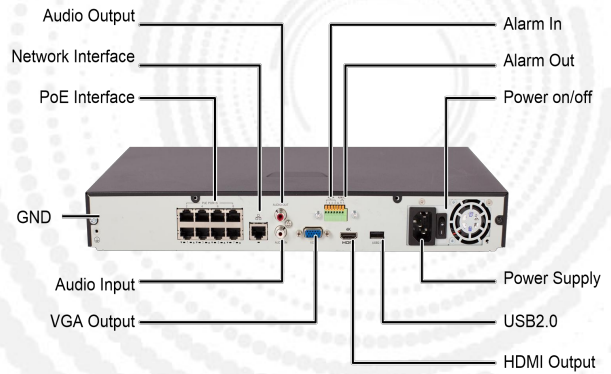


NVR3108-P8-S3 Smart2658CH4KPOENVR



Key Features

Support Smart265/264 video formats

8-channel input

Plug & Play with 4/8 independent PoE network interfaces

Third-party IP cameras supported with O-N-V-I-F conformance: Profile S, Profile G, Profile T

Support 1-ch HDMI, 1-ch VGA

Up to 4K resolution recording

1 SATA HDD up to 8TB

Support cloud upgrade



Technical Specifications:

| | |
|----------------------|--|
| Video/Audio Input | |
| IP Video Input | 8-ch |
| Network | |
| Incoming Bandwidth | 64Mbps |
| Outgoing Bandwidth | 48Mbps |
| Remote Users | 128 |
| Protocols | P2P, UPnP, NTP, DHCP, PPPoE |
| Video/Audio Output | |
| HDMI/VGA Output | HDMI: 3840x2160/30Hz, 1920x1080p/60Hz, 1920x1080p/50Hz, 1600x1200/60Hz, 1280x1024/60Hz, 1280x720/60Hz, 1024x768/60Hz |
| | VGA: 1920x1080p/60Hz, 1920x1080p/50Hz, 1600x1200/60Hz, 1280x1024/60Hz, 1280x720/60Hz, 1024x768/60Hz |
| Recording Resolution | 4K/5MP/4MP/3MP/1080p/960p/720p/D1/2CIF/CIF |
| Synchronous Playback | 8-ch |
| Corridor Mode Screen | 3/4/5/7/9 |
| Decoding | |
| Decoding format | Smart265/264 |
| Liveview/Playback | 4K/5MP/4MP/3MP/1080p/960p/720p/D1/2CIF/CIF |
| Capability | 1 x 4K@30, 1 x 5MP@30, 2 x 4MP@30, 4 x 3MP@25, 4 x 1080p@30, 8 x 720p@30 |
| Hard Disk | |
| SATA | 1 SATA interface |
| Capacity | up to 8TB for each disk |
| External Interface | |
| Network Interface | 1 RJ45 10M/100M self-adaptive Ethernet Interface |
| USB Interface | Rear panel: 2 x USB2.0 |
| PoE Interface | |
| Interface | 8 RJ-45 10M/100M self-adaptive Ethernet Interface |
| Max Power | Max 30W for single port Max 75W in total |
| Supported Standard | IEEE 802.3at, IEEE 802.3af |
| General | |
| Power Supply | 52V DC, Power Consumption: ≤9 W (without HDD) |
| Working Environment | -10°C ~ + 55°C (+14°F ~ +131°F), Humidity ≤ 90% RH (non-condensing) |
| Dimensions (W×D×H) | 260mm × 240mm × 46mm (10.2"×9.4"×1.8") |
| Weight (without HDD) | 1.1kg (2.43 lb) |

